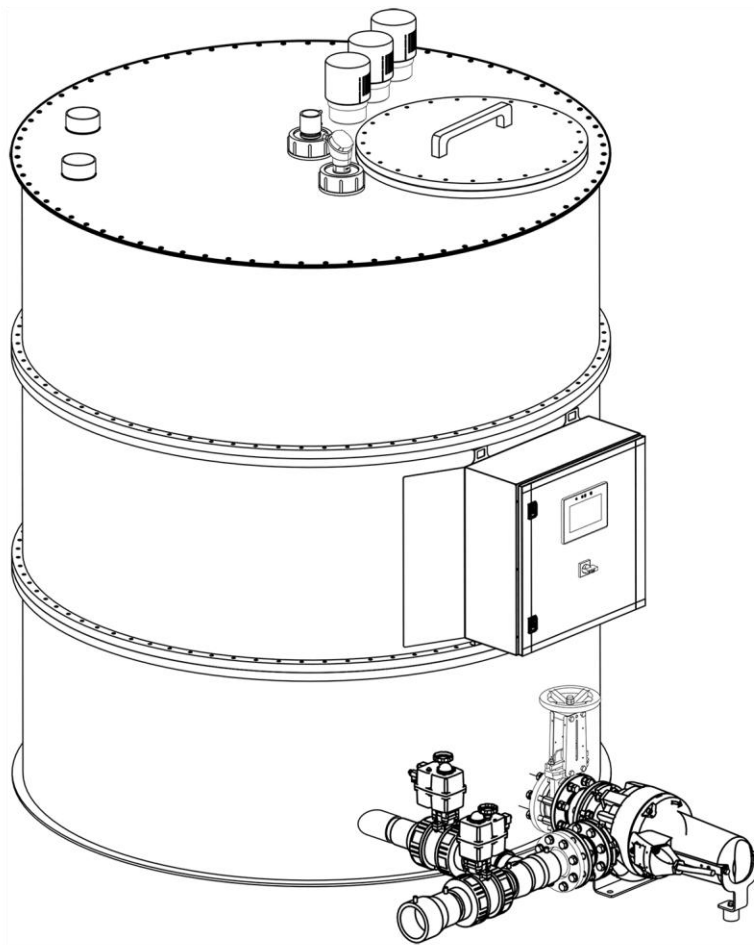


Multi tank system

Food waste collection system

Original operating instructions



EN



Before using the machine, read carefully the operating instructions, the product description and the safety instructions.



Contents

| | | |
|----------|--|-----------|
| 1 | NOTES ON THE OPERATING INSTRUCTIONS | 4 |
| 1.1 | Product identification | 4 |
| 1.2 | Delivery contents | 4 |
| 1.3 | Related documents | 4 |
| 1.4 | Presentation conventions | 4 |
| 1.4.1 | <i>Warnings</i> | 4 |
| 1.4.2 | <i>Notices on use</i> | 4 |
| 1.4.3 | <i>Award elements</i> | 4 |
| 1.4.4 | <i>Symbols</i> | 5 |
| 1.4.5 | <i>Illustrations</i> | 5 |
| 2 | DECLARATION OF CONFORMITY | 5 |
| 3 | SAFETY | 6 |
| 3.1 | Intended use | 6 |
| 3.2 | Foreseeable misuse | 6 |
| 3.3 | Safety information | 6 |
| 3.4 | Safety devices | 7 |
| 3.4.1 | <i>Emergency off function</i> | 7 |
| 3.5 | Safety labels and signs | 8 |
| 3.5.1 | <i>Description of the safety symbols used</i> | 8 |
| 3.5.2 | <i>Position of the safety labels</i> | 8 |
| 3.6 | What to do in the event of an emergency | 9 |
| 3.7 | Requirements for the personnel | 9 |
| 4 | PRODUCT DESCRIPTION | 10 |
| 4.1 | Functional description | 10 |
| 4.2 | Overview illustration | 11 |
| 4.2.1 | <i>Cylindrical tank</i> | 11 |
| 4.2.2 | <i>Underground tank</i> | 12 |
| 4.2.3 | <i>Rectangular tank</i> | 13 |
| 4.3 | Options | 13 |
| 4.3.1 | <i>Tank discharge</i> | 14 |
| 4.3.2 | <i>Cleaning unit</i> | 16 |
| 4.3.3 | <i>Trace heating</i> | 16 |
| 4.3.4 | <i>Boost pump</i> | 17 |
| 4.3.5 | <i>Grease separator connection station</i> | 17 |
| 4.4 | Control elements | 18 |
| 4.4.1 | <i>Touchscreen</i> | 18 |
| 4.4.2 | <i>Soft keys</i> | 19 |
| 4.4.3 | <i>Status indicator</i> | 20 |
| 4.5 | Menu overview | 21 |
| 4.6 | Workstations | 21 |
| 5 | TECHNICAL DATA..... | 22 |
| 5.1 | Control system | 22 |
| 5.2 | Ambient conditions | 22 |
| 6 | TRANSPORT | 23 |
| 6.1 | Transport by crane | 23 |

| | | |
|-----------|--|-----------|
| 6.2 | Transport by pallet jack or sack truck | 24 |
| 6.3 | Disposal of packaging materials | 24 |
| 7 | ASSEMBLY AND COMMISSIONING | 24 |
| 7.1 | Requirements for the fresh water connection | 25 |
| 8 | OPERATION/USE | 25 |
| 8.1 | Switching on the system | 25 |
| 8.2 | Selecting the homogenisation programme | 25 |
| 8.3 | Displaying the fill level forecast | 25 |
| 8.4 | Changing operation type | 26 |
| 8.5 | Draining the storage tank | 26 |
| 8.6 | Switching off the system | 26 |
| 8.7 | Modifying settings | 27 |
| 8.7.1 | <i>Log in with authorisation level</i> | 27 |
| 8.7.2 | <i>Logging out</i> | 27 |
| 8.7.3 | <i>Set date and time</i> | 28 |
| 8.7.4 | <i>Setting the language</i> | 28 |
| 8.7.5 | <i>Changing the homogenisation parameters</i> | 28 |
| 8.8 | Assistance in case of malfunctions | 29 |
| 8.8.1 | <i>Operating the connection station (CTU) manually</i> | 29 |
| 8.9 | Alarm and information messages | 30 |
| 9 | CLEANING | 31 |
| 9.1 | Flushing the collection tank | 31 |
| 9.2 | Clean touchscreen | 31 |
| 10 | MAINTENANCE | 31 |
| 10.1 | Maintenance plan | 31 |
| 10.2 | Checking safety labels and signs | 32 |
| 11 | DECOMMISSIONING | 32 |
| 12 | DISMANTLING AND DISPOSAL | 33 |
| 12.1 | Dismantling and disposal of the old device | 33 |
| 13 | INDEX | 34 |

1 Notes on the operating instructions

1.1 Product identification

These operating instructions apply to the following machine types:

Multi tank system

M012FWTA10M1-30

1.2 Delivery contents

The delivery contents include:

- Tank system according to order
- Documentation, for details see Related documents

1.3 Related documents

In addition to these operating instructions, there are other documents that are available depending on the authorisation:

| Operator/operating company (included in delivery contents) | |
|--|---|
| EC/EU declaration of conformity | Spare parts list |
| Wiring diagram | Assembly plan (in advance) |
| Documentation of further components specific to the order | Short operating instructions on tank draining |
| Authorised service technician | |
| Service manual | |

1.4 Presentation conventions

1.4.1 Warnings

⚠ DANGER – indicates an imminently hazardous situation which, if not avoided, will result in serious injury or death.

⚠ WARNING – indicates a potentially hazardous situation which, if not avoided, could result in serious injury or death.

⚠ CAUTION – indicates a possible hazardous situation which, if not avoided, could result in minor or moderate injury or damage to property.

1.4.2 Notices on use



Note – indicates useful and important information about the product or its use.

1.4.3 Award elements

Description of the markup elements used in this document:

- ✂ Required tool for subsequent action instruction.

- ▶ Requirement to be met for subsequent action instruction.
- 1. Successive action steps.
- ↳ Interim result for individual action steps.
- ✓ Final result of an action instruction.
- A bullet point designates a list.
- [] Terms in square brackets indicate keys.
- (1) Position numbers shown in parentheses in the text refer to position numbers in illustrations.

1.4.4 Symbols

| | | | |
|---|---------------------------------|---|--------------|
|  | Read the operating instructions |  | Manufacturer |
|---|---------------------------------|---|--------------|

1.4.5 Illustrations

The illustrations contained in this document are not necessarily true to the original or to scale. The illustration may deviate from the original, e.g. due to modifications to the product, but without diminishing the facts or comprehensibility.

2 Declaration of conformity

This section reproduces the content of the EC/EU Declaration of Conformity for the product. The signed EC/EU Declaration of Conformity with serial number is enclosed with the product.

We hereby declare under our sole responsibility the conformity of the product with the essential requirements of this EC Directive:

- 2006/42/EC Machinery Directive, OJEU L157/24

Furthermore, we declare the conformity of the product with the following EU directives:

- 2014/30/EU Directive on Electromagnetic Compatibility, OJEU L96/79, 29/03/2014
- 2011/65/EU Directive on the restriction of the use of certain hazardous substances in electrical and electronic equipment, OJEU L174/88, 01/07/2011
- The safety objectives set out in the Low Voltage Directive 2014/35/EU (OJEU L96/357, 29/03/2014) were met in accordance with Annex I, No. 1.5.1 of the Machinery Directive.

3 Safety

3.1 Intended use

The tank system is designed for the homogenisation and interim storage of shredded raw organic waste and food waste of the kind that is usually generated in commercial kitchens, hotels, food service and communal catering.

In terms of its technology and interfaces, the tank system is designed to be operated with MEIKO infeed stations.

The tank system may only be operated by trained personnel.

Only operate the tank system when it is in perfect working order.

Only operate the tank system within the limits specified in the ambient conditions.

The tank system is not approved for operation in a potentially explosive environment.

Technical modifications or conversions are not permitted.

The tank system is designed for continuous operation.

3.2 Foreseeable misuse

Do not feed in any food waste or other objects through the tank system maintenance openings.

Do not operate the tank system with maintenance openings open.

3.3 Safety information

The product has been manufactured in line with the state of the art and the established safety regulations and standards. Nevertheless, its use may result in functional hazards to the life and limb of the user or third parties. Therefore, read and observe the following safety notices before using the product.

Electric shock due to live parts!

Live parts are freely accessible when the housing parts are open. Touching live parts can lead to serious electric shocks and injure or kill people.

- Have work on the electrical system carried out only by MEIKO authorised service technicians or a qualified specialist workshop.
- Before opening housing parts, always switch off the main switch and secure it against being switched back on.
- Have damaged insulation and components of the electrical system repaired immediately.
- Have damaged power cables replaced immediately.

Risk of slipping due to leakage of liquids!

Liquids may leak onto the floor during operation. Slip hazard!

- Be careful when liquids accumulate.
- Always wear suitable safety shoes.

Wear personal protective equipment!

Missing or unsuitable personal protective equipment increases the risk of health effects and injury to people.

- Define and provide personal protective equipment for the respective application.
- Only use personal protective equipment that is in proper condition and provides effective protection.
- Adapt personal protective equipment to the person, e.g. size.
- Personal protective equipment includes, for example
 - Work gloves
 - Safety shoes
 - Safety glasses
 - Protective clothing

Make sure safety labels and signs remain legible!

Safety labels and signs on the machine provide warning of hazards at danger points and are important components of the machine's safety equipment. A lack of safety labels and signs increases the risk of serious and fatal injuries to people.

- Clean soiled safety labels and signs.
- Damaged and unrecognisable safety labels and signs must be replaced immediately.

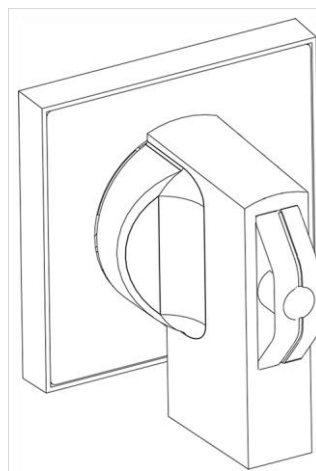
Make sure protective devices remain functional!

If protective devices are missing or damaged, people can be seriously injured or killed.

- Replace damaged protective devices immediately.
- If the protective devices are damaged, shut down the machine.
- Never tamper with, bypass or override protective devices.
- Assemble dismantled protective devices and other parts before commissioning and move them into the protective position.

3.4 Safety devices

3.4.1 Emergency off function










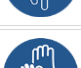

The main switch is designed as an emergency off function. The emergency off function interrupts the power supply to the system. It can be secured against being switched on again.

The emergency off button is located on the control cabinet. It must be easily accessible and free of obstacles at all times.

3.5 Safety labels and signs

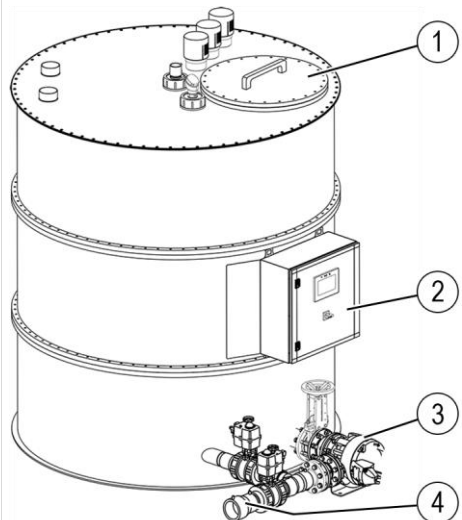










3.5.1 Description of the safety symbols used

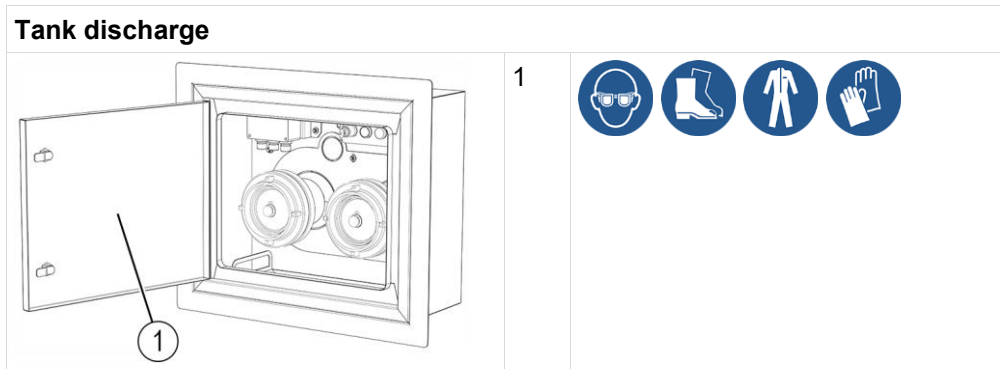
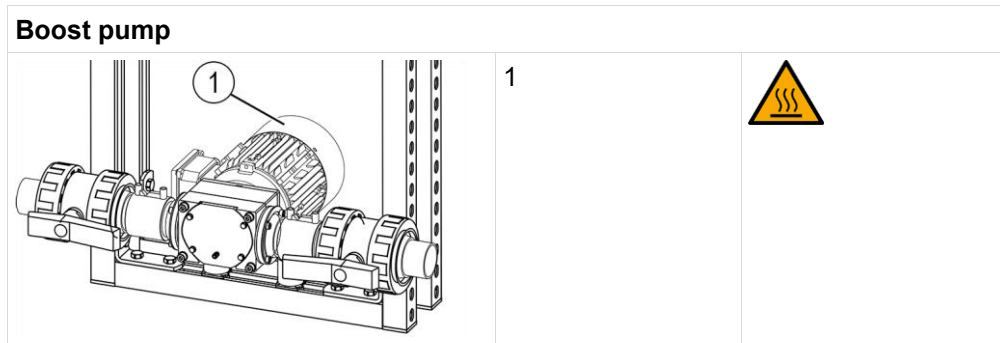
This section describes the safety symbols on the safety labels affixed to the product.

| | |
|---|-------------------------------|
|  | Warning of electrical voltage |
|  | Warning of hot surfaces |
|  | Warning of choking hazard |
|  | No unauthorised access |
|  | Read instructions |
|  | Wear safety eyewear |
|  | Use fall protection |
|  | Use protective gloves |
|  | Wear protective clothing |

3.5.2 Position of the safety labels

This section shows the positions of the safety labels affixed to the product.

| Collection tank (installation at ground level) | | |
|---|---|---|
|  | 1 |    |
| | 2 |   |
| | 3 |  |
| | 4 |     |



3.6 What to do in the event of an emergency



- In dangerous situations, disconnect from the power supply using the locally available mains isolator.

3.7 Requirements for the personnel

Commissioning, instructions, repairs, maintenance, assembly and installation of or on MEIKO products may only be carried out/authorised by authorised service partners.

During operation it must be ensured that:

- Only adequately trained and instructed personnel are allowed to work on the machine.
- Personnel responsibilities for operation, maintenance and repairs must be clearly defined.
- Any personnel undergoing training are only allowed to work on the machine under the supervision of an experienced person.

Qualified personnel as defined by this document are persons who:

- Over 14 years of age.
- Due to their training, experience and instruction are able to perform the required activities.
- Are authorised to perform the required activities by the person responsible for safety of the system.
- Have read and understood the operating instructions and corresponding safety information and will follow them.

The required qualifications for performing specific work at the machine are determined by MEIKO:

| Activity | Persons | Trained operating staff | MEIKO-authorized in-house technician | MEIKO-authorized service technician |
|-----------------------------|---------|-------------------------|--------------------------------------|-------------------------------------|
| Installation/assembly | | | | ✓ |
| Commissioning | | | | ✓ |
| Operation, use | | ✓ | ✓ | ✓ |
| Cleaning | | ✓ | ✓ | ✓ |
| Checking safety devices | | | ✓ | ✓ |
| Troubleshooting | | ✓ | ✓ | ✓ |
| Troubleshooting, mechanical | | | ✓ | ✓ |
| Troubleshooting, electrical | | | ✓* | ✓ |
| Maintenance | | | ✓ | ✓ |
| Repairs | | | ✓ | ✓ |

* with training as an electrician



Note

The instructions must be acknowledged in writing.

4 Product description

The tank system consists of one or more collection tanks with optional components. The possible variants and options are described in the following sections.

The control elements are located on the control cabinet. Depending on the configuration of the tank system, the control cabinet can be located in different places:

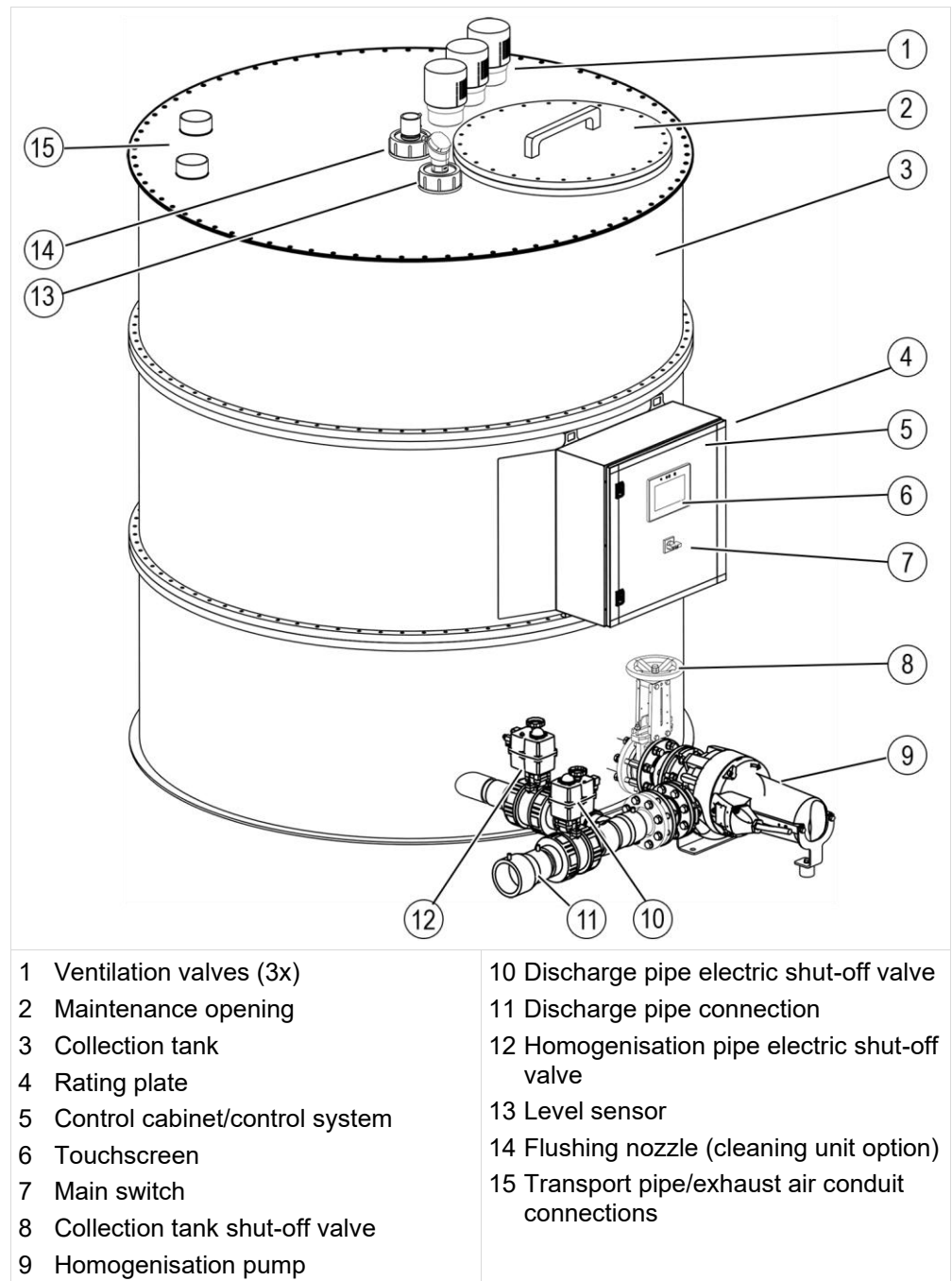
- Control cabinet at the collection tank for installation at ground level
- Control cabinet in the building for underground tanks sunk into the ground

4.1 Functional description

Shredded food waste from one or more infeed stations is pumped directly into the collection tank. Grease and sludge from an optionally connected grease separator are pumped into the collection tank via the connection station (CTU). A homogenisation process in the collection tank keeps the biomass in a homogeneous state. When the collection tank is full, it can be emptied via an externally connected discharge pipe.

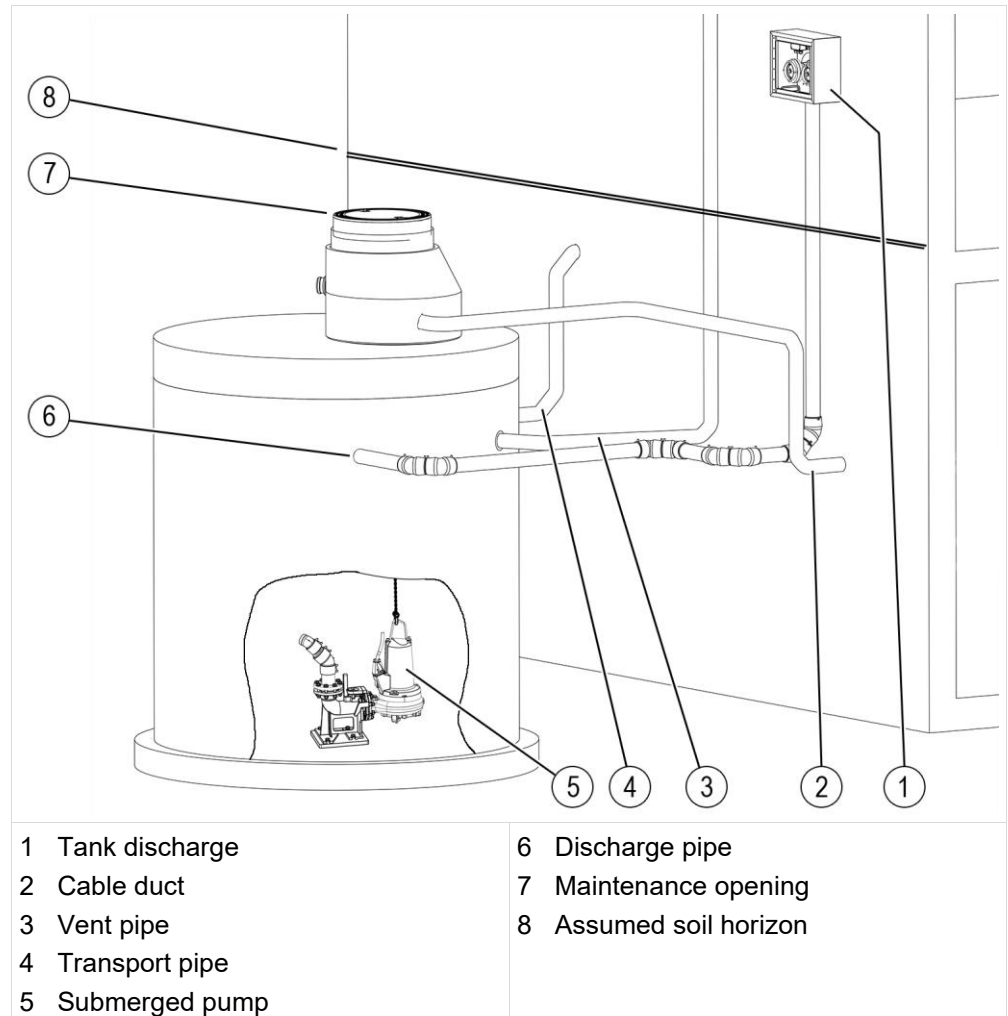
4.2 Overview illustration

4.2.1 Cylindrical tank



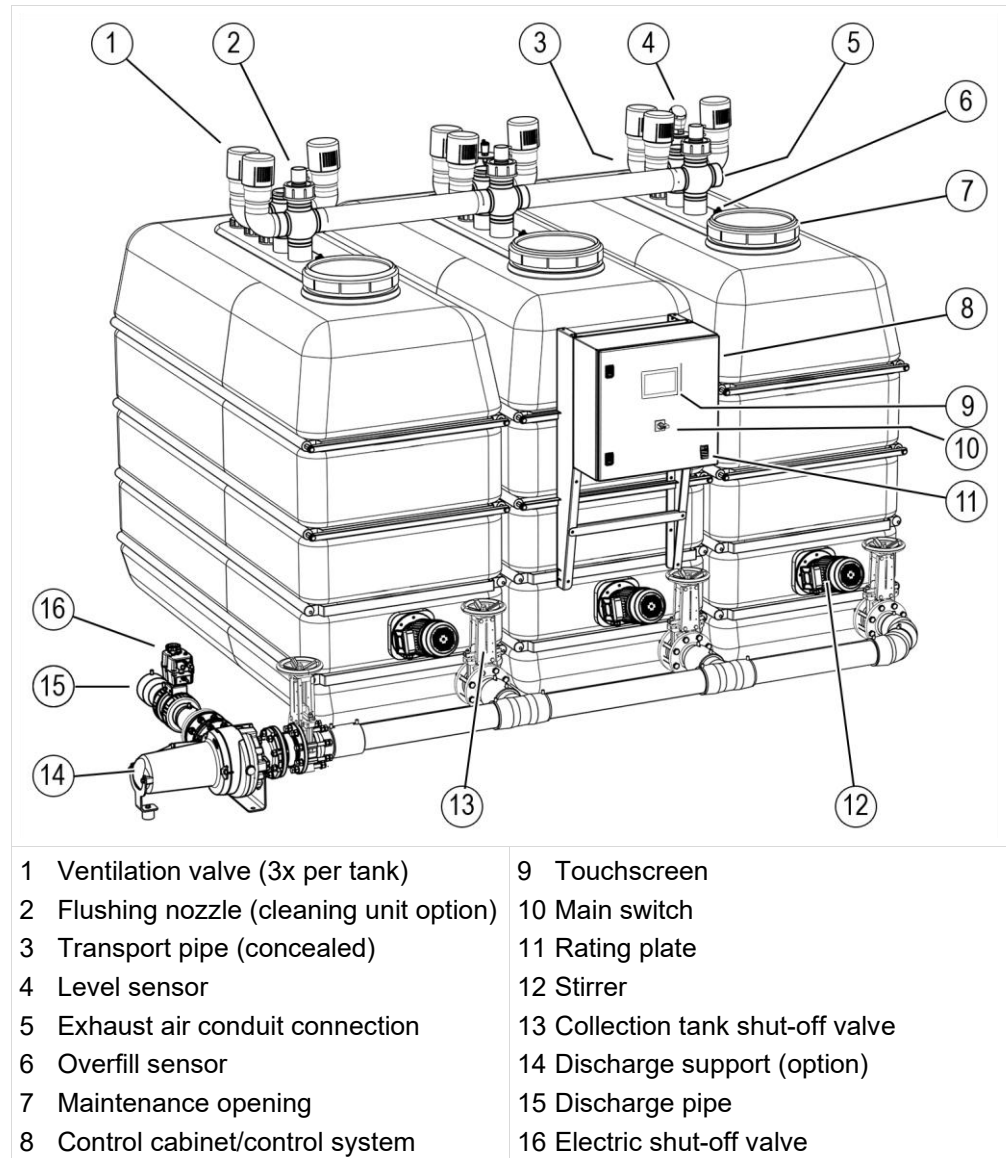
4.2.2 Underground tank

Underground tanks are available in a round shape and in various materials. The illustration shows an example of a concrete underground tank. If an underground tank is used, the control cabinet with the control system is located in the building on the wall. The position is indicated in the assembly plan.



4.2.3 Rectangular tank

Up to three rectangular tanks can be combined. The illustration shows the maximum configuration with optional components.

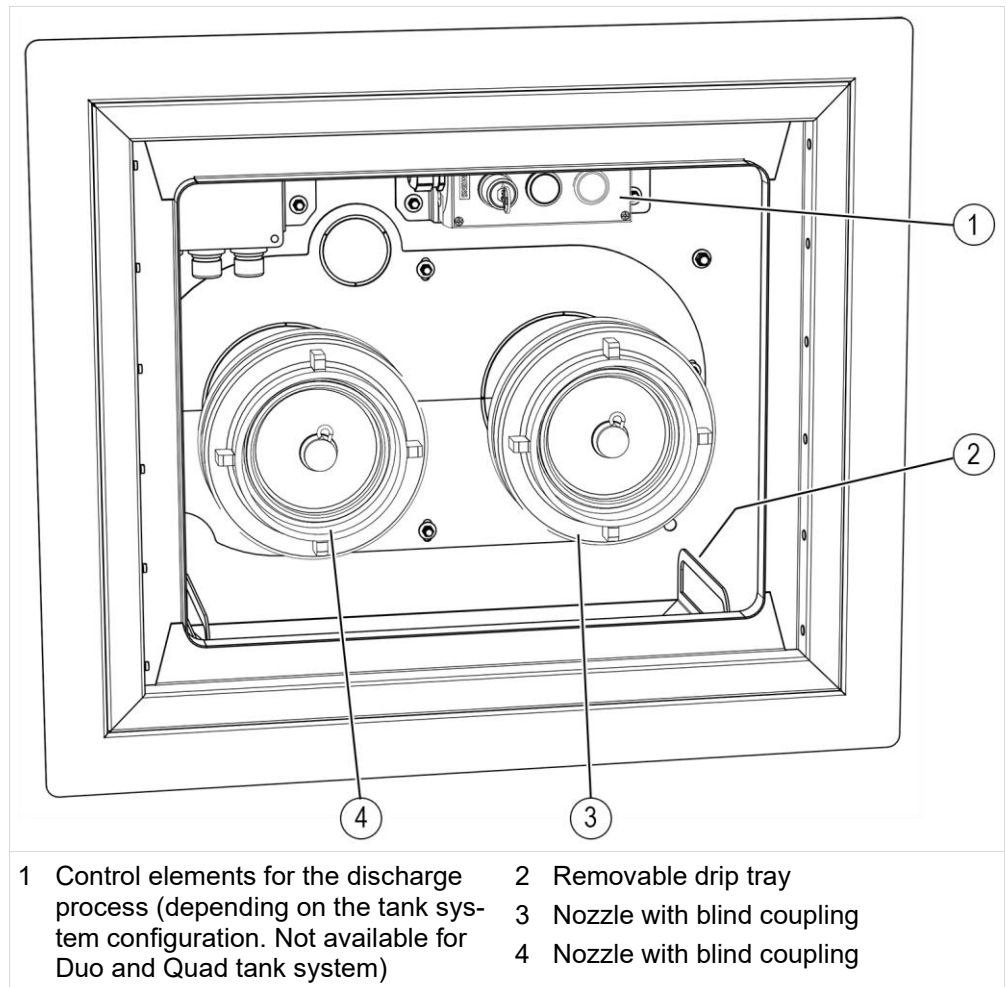


4.3 Options

Depending on the order-specific design, various optional modules or functions may be included.

4.3.1 Tank discharge

The tank discharge is attached to the outer wall.

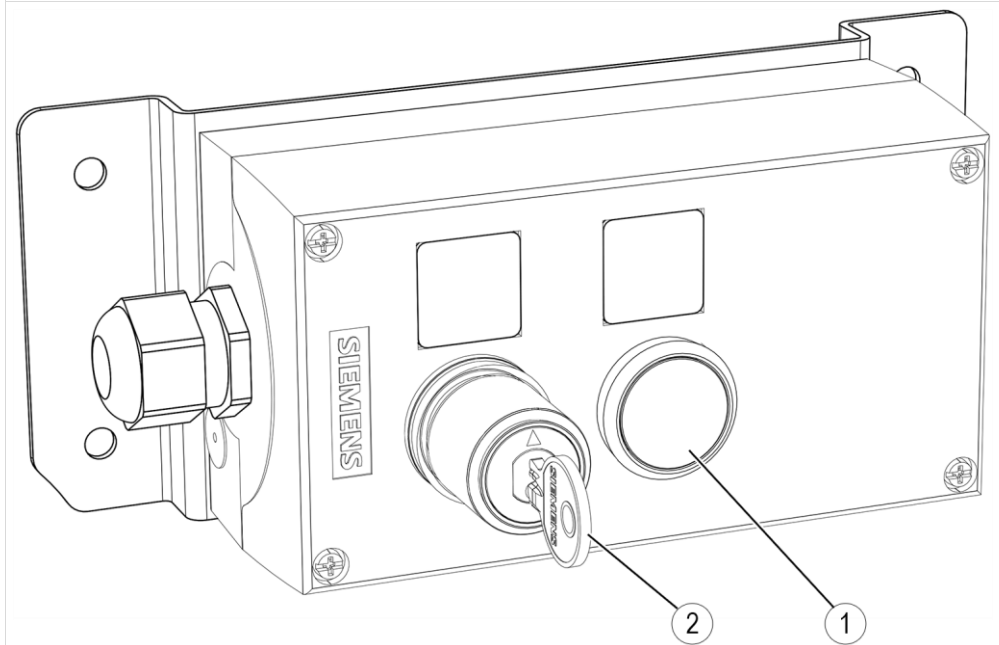


Nozzle:

- Connecting the discharge pipe
- Connecting a foul air extraction pipe

The controls elements are present if the tank system is equipped with a discharge support.

Tank discharge control elements

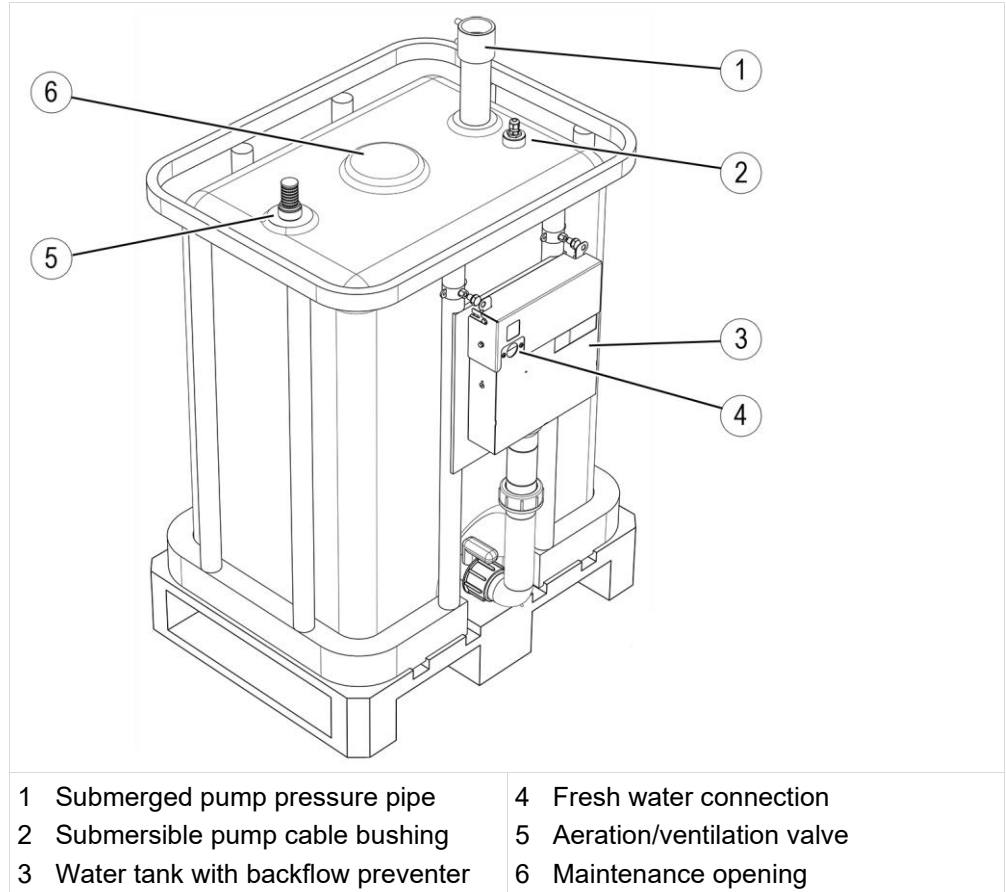


- 1 Status indicator signal lamp
- 2 Key switch for operating the discharge process

4.3.2 Cleaning unit

The cleaning unit supplies the flushing nozzles in the collection tank in order to flush coarse soiling from the walls of the collection tank.

- In automatic mode, the cleaning unit is started when a defined fill level is reached in the collection tank.
- In jog mode, the cleaning unit can be operated manually via the user interface on the touchscreen.



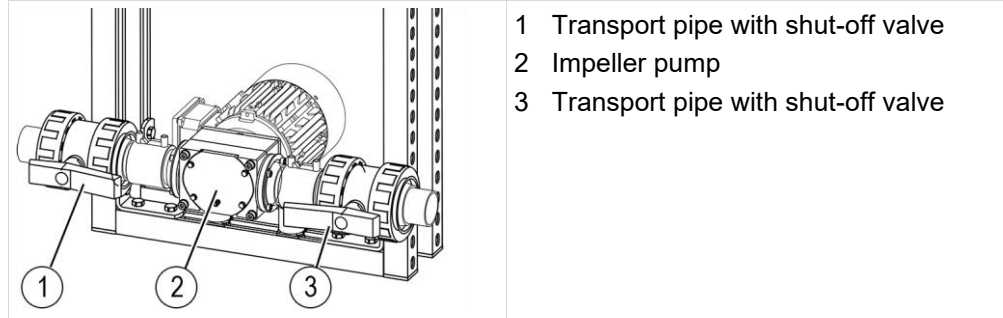
4.3.3 Trace heating

The trace heating protects the pipes in non-frost-free areas from damage caused by freezing. The display shows the set target temperature.

A temperature sensor measures the actual temperature in the non-frost-free area. If the value is below the target temperature, the trace heating is activated until the target temperature is reached.

4.3.4 Boost pump

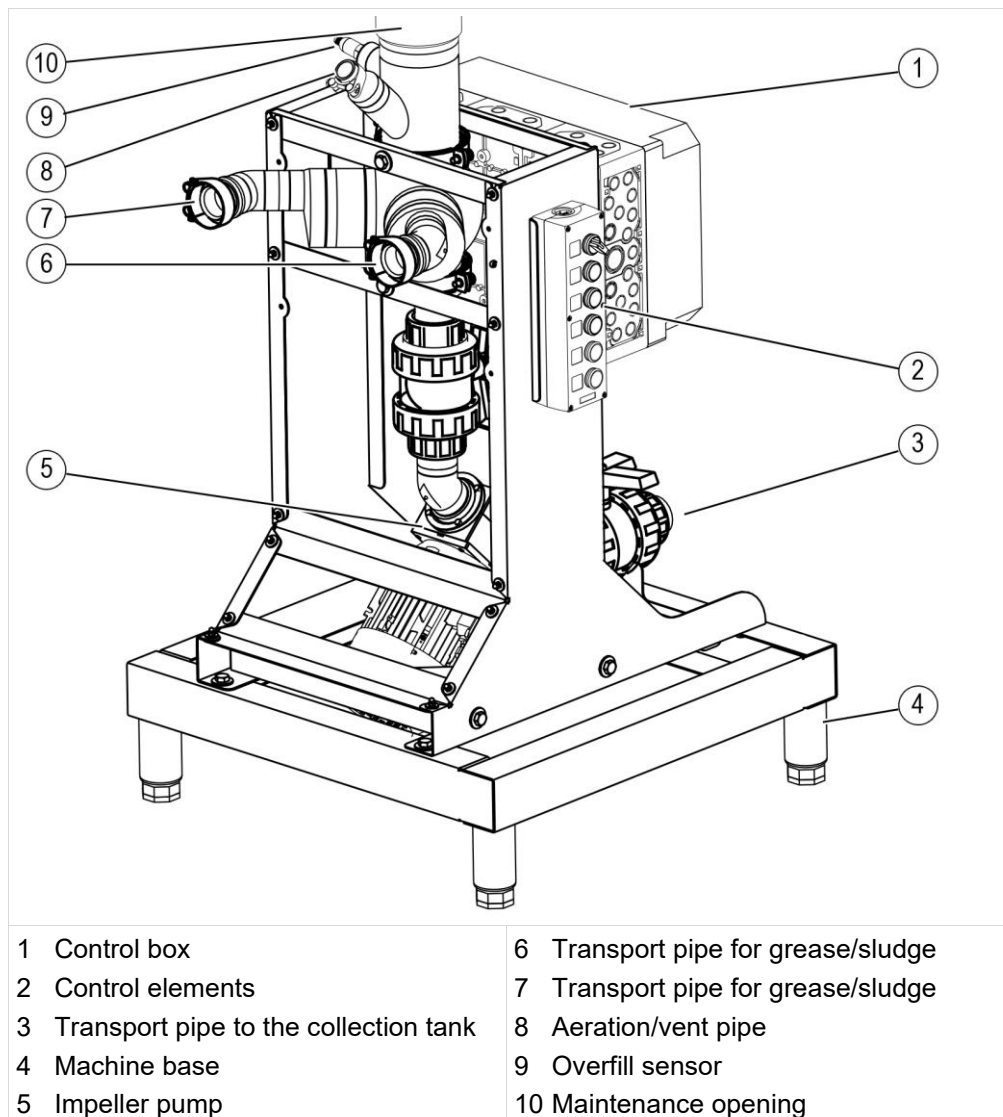
The boost pump is positioned between the infeed station and the collection tank. It supports the transport of food waste when dealing with particularly large distances between infeed stations and the collection tank or to overcome height differences.



4.3.5 Grease separator connection station

The connection station (CTU) is required if a partial waste disposal system version of the grease separator is integrated into the food waste treatment system. Operating modes:

- In automatic mode, the CTU pumps sludge and grease from the grease separator into the collection tank in defined cycles.
- In jog mode, grease and sludge can be pumped out of the grease separator manually.



| Control elements | |
|-------------------------------------|---|
| Element | Function |
| [AUTO/JOG] switch | Switches between automatic mode and jog mode |
| [Grease drain] button | Opens the electric shut-off valve for the grease drain in jog mode. |
| [Sludge drain] button | Opens the electric shut-off valve for the sludge drain in jog mode. |
| [Pump] button | Manual pumping in jog mode. |
| Fault signal lamp | Lights up red =fault |
| Readiness for operation signal lamp | Lights up green = ready for operation |

4.4 Control elements

4.4.1 Touchscreen

The system is operated via a touchscreen. After switching on the system, the start screen is displayed.













Start screen

The diagram shows the start screen of the MEIKO system. It features a dark blue header with the MEIKO logo and a lock icon (1). Below the logo is a large white 'I' in a circle (7) and a blue hand icon (8). The main area displays 'WASSHEBELS' (2) and a collection tank level indicator (4) showing 0%. A row of function soft keys (6) includes 'AUTO' and 'AUTO' with a refresh icon. The date and time are displayed as '23.08.2024 | 09:09:57' (5). A vertical status bar (3) on the right contains icons for a refresh cycle, a graph, a tank, and a wrench. A legend at the bottom explains the numbered callouts.

| | |
|-----------------------------------|---------------------------------------|
| 1 MEIKO soft key for login | 5 Date/time display |
| 2 Status line for system status | 6 Function soft keys (login required) |
| 3 Status bar | 7 [On/Off] soft key |
| 4 Collection tank level indicator | 8 Clean touchscreen soft key |

4.4.2 Soft keys

Settings and functions are operated via the soft keys on the touchscreen. Individual functions are active or inactive depending on the authorisation level, configuration and status of the system.

| Soft key | Description |
|---|---|
| Navigation | |
|  | Confirm: <ul style="list-style-type: none"> Confirms messages on the touchscreen |
|  | Back: <ul style="list-style-type: none"> Closes the current window and goes back one level |
|  | Upward arrow: <ul style="list-style-type: none"> Scrolls through the i-menu |
|  | Downward arrow: <ul style="list-style-type: none"> Scrolls through the i-menu |
|  | Cancel: <ul style="list-style-type: none"> Cancels an input and returns to the previous menu item |
| Function | |
|  | Login: <ul style="list-style-type: none"> Press and hold to log in for extended authorisations A lock symbol is displayed when the registration is confirmed. |
|  | i-menu: <ul style="list-style-type: none"> Opens the menu levels for machine functions and settings Login required. |
|  | On/off: <ul style="list-style-type: none"> Switches the tank system on and off. System status: <ul style="list-style-type: none"> Grey: System is switched off or fault pending. Flashing green: System is ready for operation. Steady green: System is in operation. |
|  | Clean touchscreen: <p>The touchscreen is locked for a defined period of time. The function is available in the MACHINE OFF status.</p> |
|  | Operating mode: <ul style="list-style-type: none"> Switches between automatic/jog mode. Blue: Automatic mode is switched on. Green: Jog mode is switched on. Login required. |
|  | Homogenisation: <ul style="list-style-type: none"> Starts homogenisation in jog mode. Homogenisation duration can be selected via 4 preset homogenisation programmes. The respective programme number is displayed. Login required. |
|  | Tank flushing: <ul style="list-style-type: none"> Starts tank flushing in jog mode. Login required. |

| | |
|--|---|
| | <p>Discharge:</p> <ul style="list-style-type: none"> • Quad tank system only. • Starts the discharge process in automatic operation. • Only active for system configuration with pump and mechanical shut-off valves. |
| | <p>Infeed station:</p> <ul style="list-style-type: none"> • Switches between the connected infeed stations. • Displays the status and condition of the selected infeed station. • Login required. |













4.4.3 Status indicator

The following symbols are displayed in the status bar on the start screen.

| Symbol | Meaning |
|--------|---|
| | <p>Collection tank:</p> <ul style="list-style-type: none"> • Steady green: Collection tank is OK • Steady yellow: Fill level warning at 80% • Steady red: Overfilling, fault |
| | <p>Homogenisation:</p> <ul style="list-style-type: none"> • Steady green: Homogenisation active • Steady red: Fault |
| | <p>Discharge:</p> <ul style="list-style-type: none"> • Steady green: Discharge active • Steady red: Fault |
| | <p>Infeed station:</p> <ul style="list-style-type: none"> • Steady green: Infeed stations are ready for operation • Steady red: Infeed stations are not ready for operation • Grey: No infeed station present or no infeed station configured |
| | <p>Cleaning unit:</p> <ul style="list-style-type: none"> • Steady green: Cleaning unit is OK • Steady red: Fault in the cleaning unit |
| | <p>Service interval:</p> <ul style="list-style-type: none"> • Steady green: Service interval not yet reached • Steady yellow: Service interval reached, perform maintenance • Flashing yellow: Service interval exceeded |

4.5 Menu overview

The table describes the menu items in the i-menu and the authorisation level required in each case.

| Symbol | Description |
|---|--|
| Menu items from authorisation level 1 | |
|  | Start screen: <ul style="list-style-type: none"> Shows start screen |
|  | Messages: <ul style="list-style-type: none"> Displays alarm and warning messages Confirms messages |
|  | Operational times: <ul style="list-style-type: none"> Displays various counter readings and machine operational times |
|  | User manual: <ul style="list-style-type: none"> QR code to download the user manual |
|  | Date and time: <ul style="list-style-type: none"> Sets date and time Seasonal clock change |
|  | Settings: <ul style="list-style-type: none"> Language setting Changes global settings (authorisation level 2 required) |
|  | Info menu: <ul style="list-style-type: none"> Software version Hardware version |
| Menu items from authorisation level 2 | |
|  | Tank configuration: <ul style="list-style-type: none"> Selects collection tank Sets tank volume |
|  | Infeed station configuration: <ul style="list-style-type: none"> Sets number of infeed stations Defines availability of infeed stations in the status display |
|  | Manual operation: <ul style="list-style-type: none"> Manual control of pumps, valves and shut-off valves |
|  | Module configuration: <ul style="list-style-type: none"> Sets system configuration |
|  | Service: <ul style="list-style-type: none"> Status indicator of inputs and outputs for service |

4.6 Workstations

The workstation for the trained operating personnel is located in front of the system control elements.

Tasks for the operating personnel:

- View fault messages
- View the system status
- Control manual functions

5 Technical data

| Rectangular tank, installation at ground level | | | | |
|---|----------|----------|----------|---------|
| Material | PE | | | |
| Volume | 2000 l | 3000 l | 4000 l | |
| Length | 2200 mm | 2350 mm | 2550 mm | |
| Width | 760 mm | 1000 mm | 1000 mm | |
| Height | 1750 mm | 2000 mm | 2000 mm | |
| Weight | 115 kg | 170 kg | 240 kg | |
| Cylindrical tank, installation at ground level | | | | |
| Material | PE | | | |
| Volume | 3650 l | 5650 l | 7650 l | 9650 l |
| Length | 1500 mm | 2250 mm | 3000 mm | 3750 mm |
| Ø | 1950 mm | 1950 mm | 1950 mm | 1950 mm |
| Weight | 200 kg | 280 kg | 360 kg | 440 kg |
| Cylindrical tank, underground tank | | | | |
| Material | PE | | | |
| Volume | 5000 l | 8500 l | 12500 l | 16000 l |
| Length | 2330 mm | 3670 mm | 5010 mm | 6350 mm |
| Ø | 2024 mm | 2024 mm | 2024 mm | 2024 mm |
| Weight | 365 kg | 560 kg | 755 kg | 955 kg |
| Cylindrical tank, underground tank | | | | |
| Material | Concrete | | | |
| Volume | 5000 l | 8000 l | 12400 l | |
| Length | 3670 mm | 4460 mm | 4050 mm | |
| Ø | 2300 mm | 2300 mm | 2800 mm | |
| Weight | 10250 kg | 12550 kg | 15060 kg | |

5.1 Control system

| | |
|-------------|--------------------------------|
| PLC | Siemens Simatic S7-1200 |
| Touchscreen | Siemens MTP700 Unified Comfort |

5.2 Ambient conditions

| Ambient conditions | |
|---|--------------|
| Operating temperature | 5°C ... 40°C |
| Relative humidity | <90% |
| Storage temperature | 5°C ... 40°C |
| Maximum height of the installation site above sea level | 1000 m |

6 Transport



Note

The machine may only be transported by a service technician authorised by MEIKO!



Note

If required, the collection tanks can be transported to the installation site by the respective manufacturer.

6.1 Transport by crane

DANGER - Danger to life due to suspended load!

Falling loads can lead to serious injuries or death.

- Never transport loads over people or hazardous areas.
- Never stand under suspended loads.
- Only use suitable, safe lifting gear.
- Wear a hard hat and safety shoes.

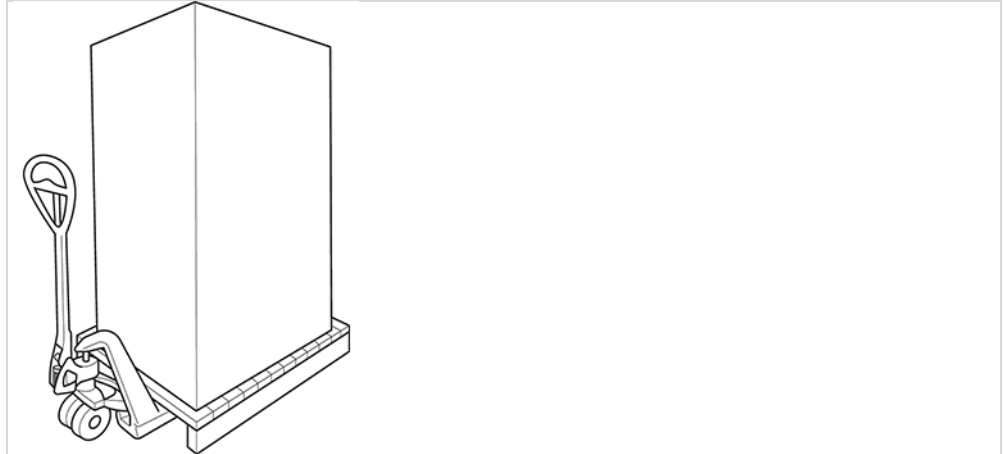


- ▶ Suitable lifting gear is available.
- ▶ The collection tank is empty.
 1. Observe the transport instructions and empty weight of the collection tank!
 2. Check that all openings are closed.
 3. Attach the collection tank to the lifting eyes using the hoist and transport it horizontally using a crane.
- ✓ The collection tank is transported safely.

6.2 Transport by pallet jack or sack truck

⚠ WARNING – danger of injury due to product tipping

- Only qualified personnel may carry out transport works.
- Please note safety notices on the packaging.
- Always transport the product on a wooden frame only.
- Wear protective gloves and safety shoes.



The packaging is specifically designed to allow the appliances to be moved safely and securely using a pallet jack or a sack truck. For safe transport, the product is supported by a special square timber frame.

- Execute transport carefully.
- Always transport the product on the supplied wooden frame.
- Observe transport instructions on the packaging.
- Do not unpack the product until it has been transported.

6.3 Disposal of packaging materials

All the packaging materials are recyclable. The following materials are used:

- Square timber frame
- Plastic sheeting (PE film)
- Foam material
- Cardboard packaging (edge protection)
- Packaging strap (steel strip)
- Packaging strap (plastic (PP))
- If needed, transport safety bracket (stainless steel)

7 Assembly and commissioning

The plant is erected and commissioned exclusively by MEIKO, therefore the chapters on assembly and commissioning are omitted.



Note

If required, the collection tanks can be installed at the installation site by the respective manufacturer.

7.1 Requirements for the fresh water connection

For Australia and New Zealand only:

All work carried out must be in accordance with AS/NZS 3500.1!

| Requirements for the water connection | |
|---------------------------------------|---|
| Permissible water hardness | 0 – 14 °dH |
| Temperature range for fresh water | 5 – 30°C |
| Permissible water pressure | 200 – 1000 hPa (2 – 10 bar) |
| Fresh water connection | DN20 $\frac{3}{4}$ AG |
| Fresh water supply pipe | Type AB air gap, according to EN 1717 or EN 61770 |
| Fine filter | ≤100 µm |

8 Operation/use

8.1 Switching on the system

1. Turn on the main switch.
 - ↳ The control system boots up. When the boot process is complete, the start screen is displayed.
2. Press the **[On/Off]** soft key.
 - ✓ The system is switched on. It starts to work in automatic mode.

8.2 Selecting the homogenisation programme

You can choose between four programmes for homogenisation. The currently selected programme is indicated by a number on the **[Homogenisation]** soft key. The parameters of the individual programmes can be set in the i-menu with the appropriate authorisation.

- ▶ Automatic mode is active.
1. Tap the **[Homogenisation]** soft key several times until the desired programme is selected.
 - ✓ The homogenisation programme is selected and active.

8.3 Displaying the fill level forecast

The fill level forecast makes it possible to estimate when the discharge process should be scheduled. It shows on the touchscreen how many days are left until the collection tank is expected to be full. If the remaining time is less than 24 days, a date is also displayed on which the fill level is expected to reach 100%.

This function is a calculation performed by the control unit and is intended as a guide.

1. Tap the date/time display on the touchscreen.
 - ✓ The display changes to show the fill level forecast. After a defined time, it switches back to the date display.

8.4 Changing operation type

- ▶ Automatic mode is active.
 1. Log in to the touchscreen with authorisation level 1.
 - ↳ The soft keys for additional functions are displayed on the touchscreen.
 2. Tap the **[Operating mode]** soft key.
 - ↳ Jog mode is activated, the soft key lights up green. Individual functions can now be operated manually.
 - ✓ To switch to automatic mode, tap the **[Operating mode]** soft key again.

8.5 Draining the storage tank

The collection tank can be drained during operation, regardless of the operating mode or operating status. When the fill level reaches 100%, the system stops with a fault.

Variant with ascending pipe, without shut-off valve

This variant has no pump and no shut-off valve on the collection tank. Pumping is carried out solely by the pump of the emptying vehicle.

1. Remove the blind coupling from the drain nozzle on the collection tank.
2. Connect the hose from the emptying vehicle to the drain nozzle.
3. Start the discharge process on the emptying vehicle.
4. Stop the discharge process when the collection tank and discharge pipe are completely empty.
5. Disconnect the hose and close the drain nozzle with the blind coupling.
- ✓ The discharge process is complete and the biomass can be transported away.

Variant with pump and electrically controlled shut-off valves

The status of the shut-off valves is monitored. The discharge process can be started when the shut-off valves are in the correct position.

1. Remove the blind coupling from the drain nozzle on the collection tank.
2. Connect the hose from the emptying vehicle to the drain nozzle.
3. Start the discharge process on the emptying vehicle.
4. Start the discharge process with the key switch on the operating panel.
 - ↳ The signal lamp lights up.
5. When the signal lamp goes out, end the discharge process on the operating panel using the key switch.
6. Stop the discharge process on the emptying vehicle.
7. Disconnect the hose and close the drain nozzle with the blind coupling.
- ✓ The discharge process is complete and the biomass can be transported away.

8.6 Switching off the system

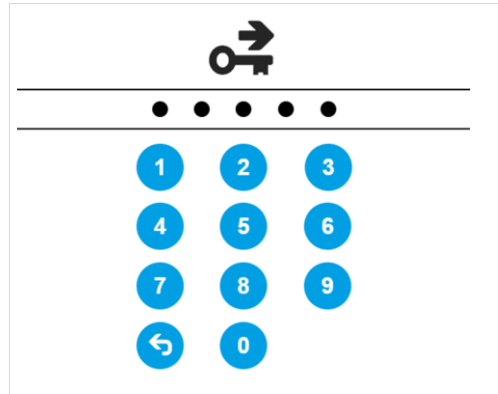
- ▶ The food waste supply is switched off.
 1. Turn off the main switch.
 - ✓ The system is switched off. The power supply is disconnected. The supply of food waste is no longer enabled.

8.7 Modifying settings

8.7.1 Log in with authorisation level

Users can log on to the touchscreen to access the i-menu and the extended range of functions.

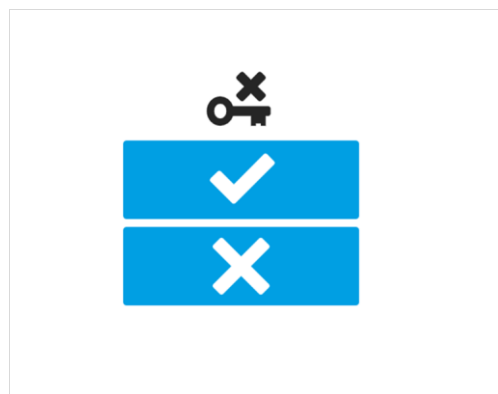
1. Touch and hold the MEIKO soft key.
↳ The login screen is displayed.



2. Enter login code **10001** and confirm.
✓ The user is logged in with authorisation level 1. The i-menu with the corresponding menu items is enabled. A lock symbol is displayed in the MEIKO soft key. An error message appears if the login code is entered incorrectly. The entry can then be repeated.

8.7.2 Logging out

- The user is logged onto the system.
1. Touch the MEIKO soft key.
↳ The logout screen is displayed.



2. Confirm cancellation with the **[Confirm]** soft key.
✓ The user is logged out.

8.7.3 Set date and time

- ▶ The operator is logged in with authorisation level 1.
- 1. Open the **Global settings** menu item.
- 2. Touch the **Date/time settings** soft key.
 - ↳ The settings screen is displayed.
- 3. Touch the date field or time field.
 - ↳ A keypad is displayed.
- 4. Enter the desired values using the keypad and confirm with the **Return** soft key on the keypad.
- 5. Leave the menu level with the **Back** soft key.
 - ↳ The settings are saved.
 - ✓ The date and time are set.

8.7.4 Setting the language

- ▶ The operator is logged in with authorisation level 1.
- 1. Open the **Global settings** menu item.
- 2. Touch the **Display language** drop-down menu.
 - ↳ The available languages are displayed.
- 3. Touch the desired language.
 - ✓ The language is set.

8.7.5 Changing the homogenisation parameters

The parameters of the individual homogenisation programmes can be adjusted as required.

- ▶ The operator is logged in with authorisation level 1.
- 1. Open the **Settings** menu item.
- 2. Navigate to the **Homogenisation** menu item.
- 3. Enter and confirm the **minimum run time** and **pause time** for the homogenisation programmes P1 to P4.
 - ✓ The homogenisation programmes have been changed.

8.8 Assistance in case of malfunctions

The following faults can be remedied by the operating personnel or the in-house technician.

| Fault | Possible cause | Remedy |
|--|--|--|
| The system has no power. | The electrical mains isolator is turned off. | Turn on the electrical mains isolator. |
| | The main switch is turned off. | Turn on the main switch. |
| The system is switched on and at a standstill. The display shows the fault message: Collection tank full | The collection tank is full. | Arrange for the tank to be drained. |
| The system is at a standstill with the fault message Ball valves: Position implausible. | If electric shut-off valves cannot move to the end position, e.g. due to a blockage caused by foreign objects. | Switch off the system at the main switch, wait a few seconds and then switch it on again. Open and close the shut-off valves. This can release blockages. If the fault is not rectified, contact Service. |

As a rule, faults that are not described here require assistance from a service technician authorised by MEIKO. Please contact your market organisation or an authorised dealer.

8.8.1 Operating the connection station (CTU) manually

If servicing is required, it may be necessary to manually pump grease and sludge out of the grease separator (optional) via the connection station (CTU).

Procedure:

1. Set the **[AUTO/JOG]** switch on the CTU to jog mode.
 2. Press and hold the **[Grease drain]** button.
 3. Press the **[Pump]** button for a few seconds, repeat if necessary.
 - ↳ Grease is pumped out of the grease separator as long as the **[Pump]** button is pressed. Monitor the transparent hoses.
 4. When no more grease is being pumped into the transparent hose, release the buttons.
 5. To pump out sludge, repeat the process using the **[Sludge]** button.
 - ↳ Sludge is pumped out of the grease separator as long as the **[Pump]** button is pressed. Monitor the transparent hoses.
 6. When clear water is flowing through the transparent hose, release the buttons.
 7. Set the **[AUTO/JOG]** switch to automatic mode.
- ✓ The grease separator has been emptied.

8.9 Alarm and information messages

The table lists messages whose causes can be rectified by the operating personnel or by the in-house technician.

If a message shown on the display is not described in the table or its cause cannot be rectified, contact a service technician authorised by MEIKO.

Two types of messages are displayed on the touchscreen:

Fault messages



- A red warning triangle in the i-menu indicates a fault.
- Fault messages are displayed in red in the text line on the touchscreen.
- The system is stopped.
- The fault must be rectified and the fault message confirmed on the touchscreen. The fault message disappears.

Warning messages



- A yellow warning triangle in the i-menu indicates a fault.
- Warning messages are displayed in the text line on the touchscreen. The system continues to run.
- The cause may need to be rectified in order to avoid a fault.

| No. | Message text | Measure |
|------|-----------------------------------|--|
| 2011 | Tank: 80% fill level reached | Arrange for the tank to be drained. |
| 2012 | Tank: Full | Drain the collection tank. |
| 2020 | Tank fault: Overfilling | Drain the collection tank. |
| 2110 | Fault: Fuses tripped | Check the fuses in the control cabinet. |
| 2210 | Ball valve fault: Positioning | Information message. |
| 2211 | Remote emptying active | Information message. |
| 2311 | Ball valves: Position implausible | Position of a shut-off valve is not correct. Contact a service technician authorised by MEIKO. |
| 3010 | Station 1: Not ready | Information message. The tank system can continue to work. |
| 3020 | Station 2: Not ready | Information message. The tank system can continue to work. |
| 3030 | Station 3: Not ready | Information message. The tank system can continue to work. |
| 3040 | Station 4: Not ready | Information message. The tank system can continue to work. |
| 3050 | Station 5: Not ready | Information message. The tank system can continue to work. |
| 3060 | Station 6: Not ready | Information message. The tank system can continue to work. |

9 Cleaning

9.1 Flushing the collection tank

The inside of the collection tank can be flushed with a cleaning unit (optional) to remove coarse soiling before a longer period of inactivity or before the system is de-commissioned. Before flushing, empty the collection tank.

- ▶ The collection tank is drained.
 1. Stop the supply of food waste.
 2. Activating jog mode
 3. Press and hold the **[Tank flushing]** soft key for collection tank cleaning.
 - ↳ The cleaning valves flush coarse soiling from the inner walls of the collection tank as long as the soft key is held down.
- ✓ The collection tank is flushed. Then, if necessary, fill up with residual water from the collection tank.

9.2 Clean touchscreen

1. Tap the **[On/Off]** soft key.
 - ↳ The system is switched off. The **[On/Off]** soft key starts to flash green.
2. Tap the **[Clean touchscreen]** soft key.
 - ↳ The touchscreen is locked for a defined period of time.
3. Wipe the touchscreen with a slightly damp cloth.
 - ✓ The touchscreen is cleaned. The system can be switched on again once the lock has expired.

10 Maintenance

10.1 Maintenance plan

| Collection tank | | |
|--|------------------|--|
| Activity | Interval | Qualification |
| Check wet waste room for unpleasant odours. | Weekly | Trained operating personnel |
| Perform a visual check of exterior. | Every six months | Trained in-house technician |
| Check stirrers for external damage. | | |
| Check safety labels and signs. | Annually | Service technician authorised by MEIKO |
| Check fill level sensors for soiling and clean if necessary. | | |
| Check stirrer for correct operation. | | |

| Cleaning unit | | |
|---|----------|--|
| Activity | Interval | Qualification |
| Check flushing nozzles for correct operation and leaks. | Annually | Service technician authorised by MEIKO |
| Check cleaning unit for correct operation. | | |

| Impeller pump | | |
|-----------------------------------|-----------------|--|
| Activity | Interval | Qualification |
| Check impeller pump for leaks. | Monthly | Operator |
| Check pump head contour for wear. | Annually | Service technician authorised by MEIKO |
| Check coupling for wear. | | |
| Replace pump head seal kit. | | |
| Replace impeller. | | |

| Control cabinet | | |
|--|------------------|-----------------------------|
| Activity | Interval | Qualification |
| Check fault signalling buffer. | Every six months | Trained in-house technician |
| Check all electrical contacts. | Annually | MEIKO service technician |
| Check control elements on control cabinet for correct operation. | | |
| Check emergency switch-off function. | | |

10.2 Checking safety labels and signs

Safety labels and signs on the product must always be clearly legible.

1. Check all safety labels and signs for legibility.
 2. Replace damaged, illegible safety labels and signs. These can be reordered at MEIKO.
- ✓ The safety levels and signs have been checked.

11 Decommissioning

Arrange for the tank to be drained in good time before decommissioning the tank system.

► Note

If a partial waste disposal system version of the grease separator is connected, this must also be decommissioned.

1. Flush the infeed stations upstream of the tank system with tap water (start cycle) and then switch off.
 2. Completely empty the system and all connected components.
 3. Switch off the water supply so that connected components do not fill up.
 4. Drain the collection tank.
 5. Clean and pump out all connected components.
 6. Drain the remaining water from the collection tank.
 7. Switch off the system at the main switch and secure it against being switched back on.
- ✓ The system has been decommissioned.

12 Dismantling and disposal

In addition to valuable raw materials and recyclable materials, the packaging and the old appliance may also contain substances that are harmful to health and the environment and were required for the function and safety of the old appliance.

12.1 Dismantling and disposal of the old device



The appliance is marked with this symbol. Please observe the local regulations for proper disposal of your old appliance.

The components should be separated by material for recycling.

13 Index

A

| | |
|--|----|
| Alarm and information messages | 30 |
| Ambient conditions | 22 |
| Assembly | 24 |
| Assistance in case of malfunctions | 29 |

B

| | |
|-----------------|----|
| Boost pump..... | 17 |
|-----------------|----|

C

| | |
|---|----|
| Changing the homogenisation parameters..... | 28 |
| Checking safety labels and signs | 32 |
| Clean touchscreen | 31 |
| Cleaning..... | 31 |
| Cleaning unit..... | 16 |
| Control system..... | 22 |
| Cylindrical tank | 11 |

D

| | |
|---------------------------------------|----|
| Declaration of conformity | 5 |
| Decommissioning | 32 |
| Delivery contents | 4 |
| Designation of machine type | 4 |
| Dismantling | 33 |
| Dismantling and disposal..... | 33 |
| Disposal of packaging materials | 24 |
| Disposal of the old device..... | 33 |
| Draining..... | 26 |

F

| | |
|------------------------------------|----|
| Fill level forecast | 25 |
| Flushing the collection tank | 31 |
| Functional description..... | 10 |

G

| | |
|--|----|
| Grease separator connection station..... | 17 |
|--|----|

I

| | |
|--------------------|---|
| Intended use | 6 |
|--------------------|---|

L

| | |
|---------------------------------------|----|
| Log in with authorisation level | 27 |
| Logging out | 27 |

M

| | |
|--------------------------|----|
| Maintenance plan | 31 |
| Menu overview..... | 21 |
| Modifying settings | 27 |

N

| | |
|---|---|
| Notes on the operating instructions | 4 |
| illustrations | 5 |

O

| | |
|----------------------------------|----|
| Operating modes | |
| Changing operation type | 26 |
| Operating the CTU manually | 29 |
| Operation/use | 25 |
| Options..... | 13 |
| Overview illustration..... | 11 |

P

| | |
|--------------------------------|----|
| Presentation conventions | 4 |
| Product description | 10 |
| Protective devices | |
| Emergency off function..... | 7 |

R

| | |
|---|----|
| Rectangular tank..... | 13 |
| Related documents | 4 |
| Requirements for the fresh water connection | 25 |
| Requirements for the personnel | 9 |

S

| | |
|--|----|
| Safety | 6 |
| Safety devices..... | 7 |
| Safety information | 6 |
| Safety labels and signs | 8 |
| Selecting the homogenisation programme | 25 |
| Setting the language..... | 28 |
| Status indicator | 20 |
| Switching off the system | 26 |
| Switching on..... | 25 |

T

| | |
|--|----|
| Tank discharge | 14 |
| Technical data..... | 22 |
| Touchscreen | 18 |
| Trace heating | 16 |
| Transport by crane..... | 23 |
| Transport by pallet jack or sack truck | 24 |

U

| | |
|------------------------|----|
| Underground tank | 12 |
| Unintended use..... | 6 |

W

| | |
|---|---|
| What to do in the event of an emergency | 9 |
|---|---|



The clean solution



MEIKO Maschinenbau GmbH & Co. KG

Englerstraße 3

77652 Offenburg

Germany

www.meiko-global.com

info@meiko-global.com