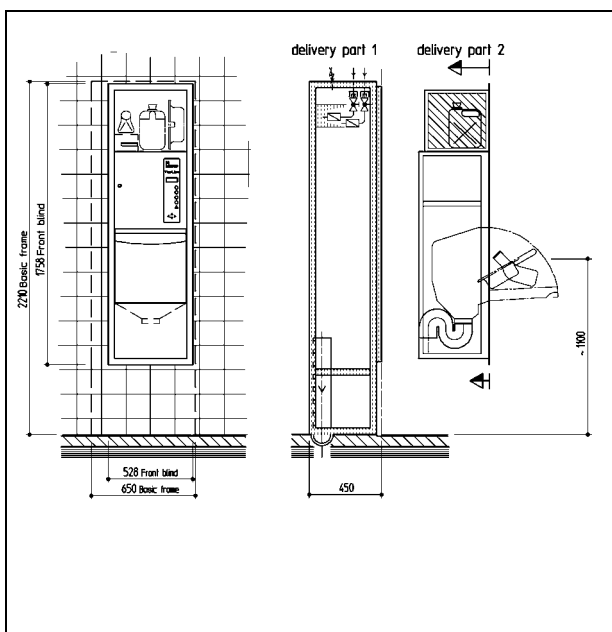


MEIKO – TopLine Cleaning and Disinfection Appliances

MEIKO TopLine 30

Cleaning- and disinfection appliance for **flush wall installation**, with mounting frame.
 The model for the bath-room attached to a private room.



	<p>Technical data</p> <p>Cold water : R ½“, 5 -25 °C Flow : > 18 ltr/min. Flow pressure : > 1 bar</p> <p>Hot water : R ½“, 45 -60 °C Flow : > 18 ltr/min. Flow pressure : >1 bar</p> <p>Outlet pipe : DN 100</p> <p>Electrical installation : 3N PE ~ 400V, 50 Hz, 4.6 kW Alternatively: Electrical installation : 1N PE ~ 230V, 50 Hz, 2.8 kW</p> <p>Workplace-related emission value LpA : 50 dB</p>
---	---

We reserve the right to make technical changes as part of product improvements.