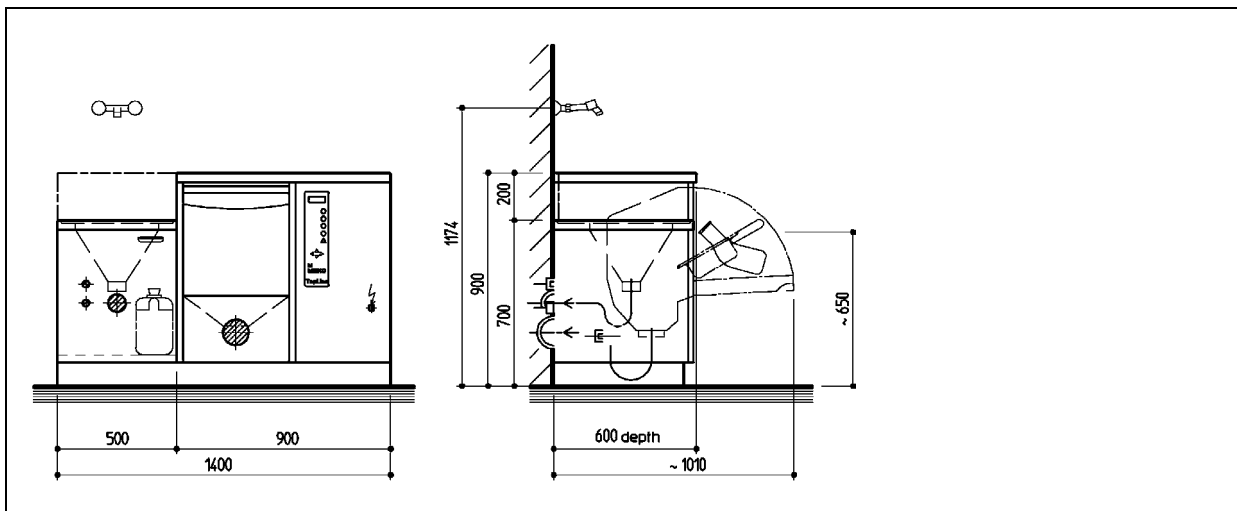


MEIKO – TopLine Cleaning and Disinfection Appliances

MEIKO SAN 14 / TopLine 40



Small combined sluice unit with slop sink and automatic cleaning and disinfecting appliance. Front-loaded appliance with work and storage surface.



Technical data

Cold water : R ½ ", 5 -25 °C
Flow : > 18 ltr/min.
Flow pressure : > 1 bar

Hot water : R ½ ", 45 -60 °C
Flow : > 18 ltr/min.
Flow pressure : >1 bar

Outlet pipe : DN 100

Electrical installation : 3N PE ~ 400V, 50 Hz, 4.6 kW
Alternatively:

Electrical installation : 1N PE ~ 230V, 50 Hz, 2.8 kW

Workplace-related
emission
value LpA : 50 dB

We reserve the right to make technical changes as part of product improvements.