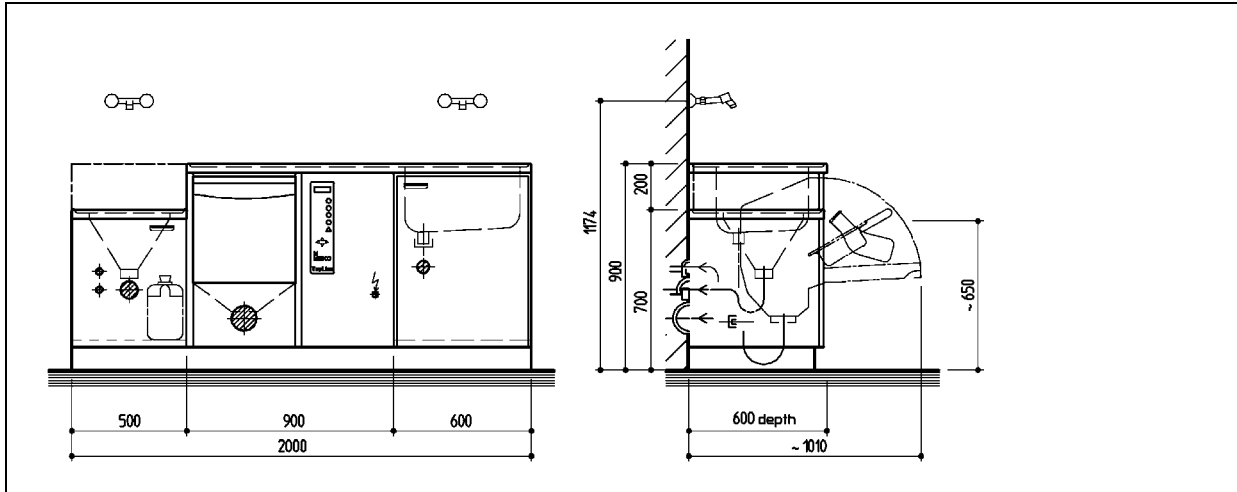


MEIKO – TopLine Cleaning and Disinfection Appliances

MEIKO SAN 20 W / TopLine 40



Combined sluice unit with slop sink, hand wash basin and cleaning and disinfecting appliance. Integrated with a large work surface and additional cabinet space.



Technical data

Cold water : R ½ ", 5 -25 °C
Flow : > 18 ltr/min.
Flow pressure : > 1 bar

Hot water : R ½ ", 45 -60 °C
Flow : > 18 ltr/min.
Flow pressure : >1 bar

Outlet pipe : DN 100

Electrical installation : 3N PE ~ 400V, 50 Hz, 4.6 kW
Alternatively:
Electrical installation : 1N PE ~ 230V, 50 Hz, 2.8 kW

Workplace-related
emission
value LpA : 50 dB

We reserve the right to make technical changes as part of product improvements.