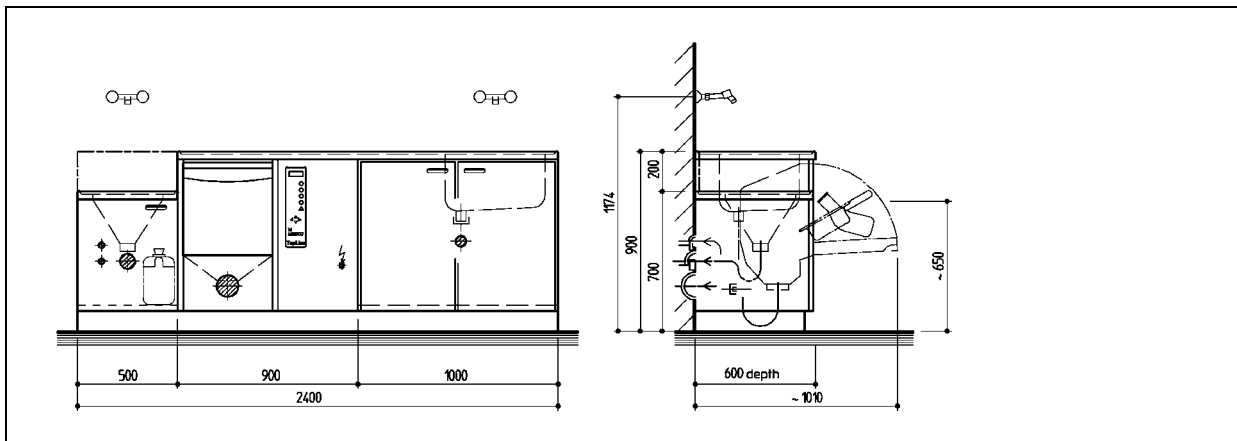


MEIKO – TopLine Cleaning and Disinfection Appliances

MEIKO SAN 24 W / TopLine 40



Combined sluice unit with slop sink and cleaning and disinfection appliance. **Integrated with a large work surface** and additional cabinet space.



Technical data

Cold water : R ½“ 5 – 25 °C
 Flow : > 18 ltr/min.
 Flow pressure : > 1 bar

Hot water : R ½“, 45 -60 °C
 Flow : > 18 ltr/min.
 Flow pressure : > 1 bar

Outlet pipe : DN 100

Electrical installation : 3N PE ~ 400V, 50 Hz, 4.6 kW
 Alternatively:

Electrical installation : 1N PE ~ 230V, 50 Hz, 2.8 kW

Workplace-related
 emission
 value LpA : 50 dB

We reserve the right to make technical changes as part of product improvements.